



TA2024C

STEREO 15W (4Ω) CLASS-T™ DIGITAL AUDIO AMPLIFIER USING DIGITAL POWER PROCESSING™ TECHNOLOGY

Preliminary Information

Revision 1.0 – January 2006

GENERAL DESCRIPTION

The TA2024C is a 15W/ch continuous average two-channel Class-T Digital Audio Power Amplifier IC using Tripath's proprietary Digital Power Processing™ technology. Class-T amplifiers offer both the audio fidelity of Class-AB and the power efficiency of Class-D amplifiers.

The TA2024C has incorporated specific changes to improve the click and pop performance over previous devices such as TA2024 and TA2024B. The TA2024C is recommended for all new designs that previously used the TA2024 or TA2024B.

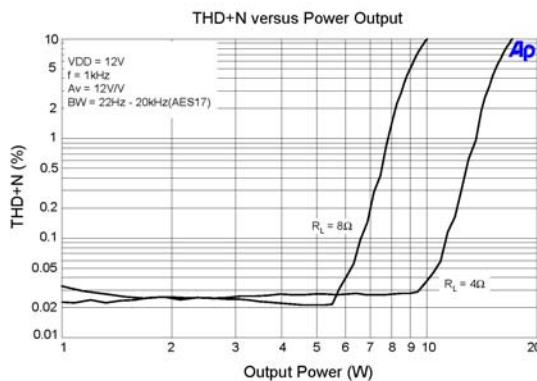
APPLICATIONS

- Computer/PC Multimedia
- DVD Players
- Cable Set-Top Products
- Televisions
- Video CD Players
- Battery Powered Systems

BENEFITS

- Fully integrated solution with FETs
- Easier to design-in than Class-D
- Reduced system cost with no heat sink
- Dramatically improves efficiency versus Class-AB
- Signal fidelity equal to high quality linear amplifiers
- High dynamic range compatible with digital media such as CD, DVD, and Internet audio

TYPICAL PERFORMANCE



FEATURES

- Class-T architecture
- Single Supply Operation
- "Audiophile" Quality Sound
 - 0.03% THD+N @ 9W, 4Ω
 - 0.10% IHF-IM @ 1W, 4Ω
 - 11W @ 4Ω, 0.1% THD+N
 - 6W @ 8Ω, 0.1% THD+N
- High Power
 - 15W @ 4Ω, 10% THD+N
 - 10W @ 8Ω, 10% THD+N
- High Efficiency
 - 81% @ 15W, 4Ω
 - 90% @ 10W, 8Ω
- Dynamic Range = 98 dB
- Mute and Sleep inputs
- Enhanced Turn-on & turn-off pop suppression
- Over-current protection
- Over-temperature protection
- Bridged outputs
- 36-pin Power SOP package



ABSOLUTE MAXIMUM RATINGS (Note 1)

SYMBOL	PARAMETER	Value	UNITS
V _{DD}	Supply Voltage	16	V
V ₅	Input Section Supply Voltage	6.0	V
SLEEP	SLEEP Input Voltage	-0.3 to 6.0	V
MUTE	MUTE Input Voltage	-0.3 to V ₅ +0.3	V
T _{STORE}	Storage Temperature Range	-40 to 150	°C
T _A	Operating Free-air Temperature Range	0 to 70	°C
T _J	Junction Temperature	150	°C

Note 1: Absolute Maximum Ratings indicate limits beyond which damage to the device may occur.

Note 2: See Power Dissipation Derating in the Applications Information section.

OPERATING CONDITIONS (Note 4)

SYMBOL	PARAMETER	MIN.	TYP.	MAX.	UNITS
V _{DD}	Supply Voltage	8.5	12	14.0	V
V _{IH}	High-level Input Voltage (MUTE, SLEEP)	3.5			V
V _{IL}	Low-level Input Voltage (MUTE, SLEEP)			1	V

Note 3: Recommended Operating Conditions indicate conditions for which the device is functional. See Electrical Characteristics for guaranteed specific performance limits.

THERMAL CHARACTERISTICS

SYMBOL	PARAMETER	VALUE	UNITS
θ _{JC}	Junction-to-case Thermal Resistance	2.5	°C/W
θ _{JA}	Junction-to-ambient Thermal Resistance (still air)	50	°C/W

ELECTRICAL CHARACTERISTICS

See Test/Application Circuit. Unless otherwise specified, $V_{DD} = 12V$, $f = 1kHz$, Measurement Bandwidth = 22kHz, $R_L = 4\Omega$, $T_A = 25\text{ }^\circ\text{C}$, Package heat slug soldered to 2.8 square-inch PC pad.

SYMBOL	PARAMETER	CONDITIONS	MIN.	TYP.	MAX.	UNITS
P_O	Output Power (Continuous Average/Channel)	THD+N = 0.1% $R_L = 4\Omega$	9	11		W
		$R_L = 8\Omega$	5.5	6		W
		THD+N = 10% $R_L = 4\Omega$	12	15		W
		$R_L = 8\Omega$	8	10		W
$I_{DD,MUTE}$	Mute Supply Current	MUTE = V_{IH}		25	TBD	mA
$I_{DD,SLEEP}$	Sleep Supply Current	SLEEP = V_{IH}		0.25	2	mA
I_q	Quiescent Current	$V_{IN} = 0V$		61	75	mA
THD + N	Total Harmonic Distortion Plus Noise	$P_O = 9W/Channel$		0.03		%
IHF-IM	IHF Intermodulation Distortion	19kHz, 20kHz, 1:1 (IHF)		0.10	0.5	%
SNR	Signal-to-Noise Ratio	A-Weighted, $P_{OUT} = 15W$, $R_L = 4\Omega$		98		dB
CS	Channel Separation	$f = 1\text{ kHz}$		85		dB
		$20\text{ Hz} \leq f \leq 20\text{ kHz}$	50	60		dB
PSRR	Power Supply Rejection Ratio	$V_{DD} = 9V$ to $13.2V$	65	75		dB
		Vripple = 100mVrms, $f=1kHz$		65		dB
η	Power Efficiency	$P_{OUT} = 10W/Channel$, $R_L = 8\Omega$		90		%
V_{OFFSET}	Output Offset Voltage	No Load, MUTE = Logic Low		50	150	mV
V_{OH}	High-level output voltage (FAULT & OVERLOAD)		3.5			V
V_{OL}	Low-level output voltage (FAULT & OVERLOAD)				1	V
e_{OUT}	Output Noise Voltage	A-Weighted, input AC grounded		100		μV

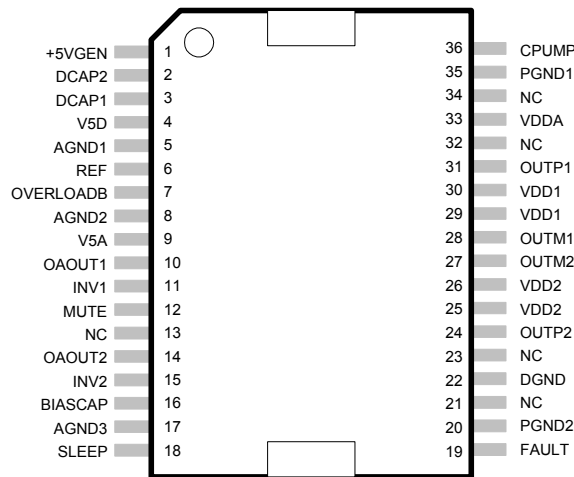
Note: Minimum and maximum limits are guaranteed but may not be 100% tested.

PIN DESCRIPTION

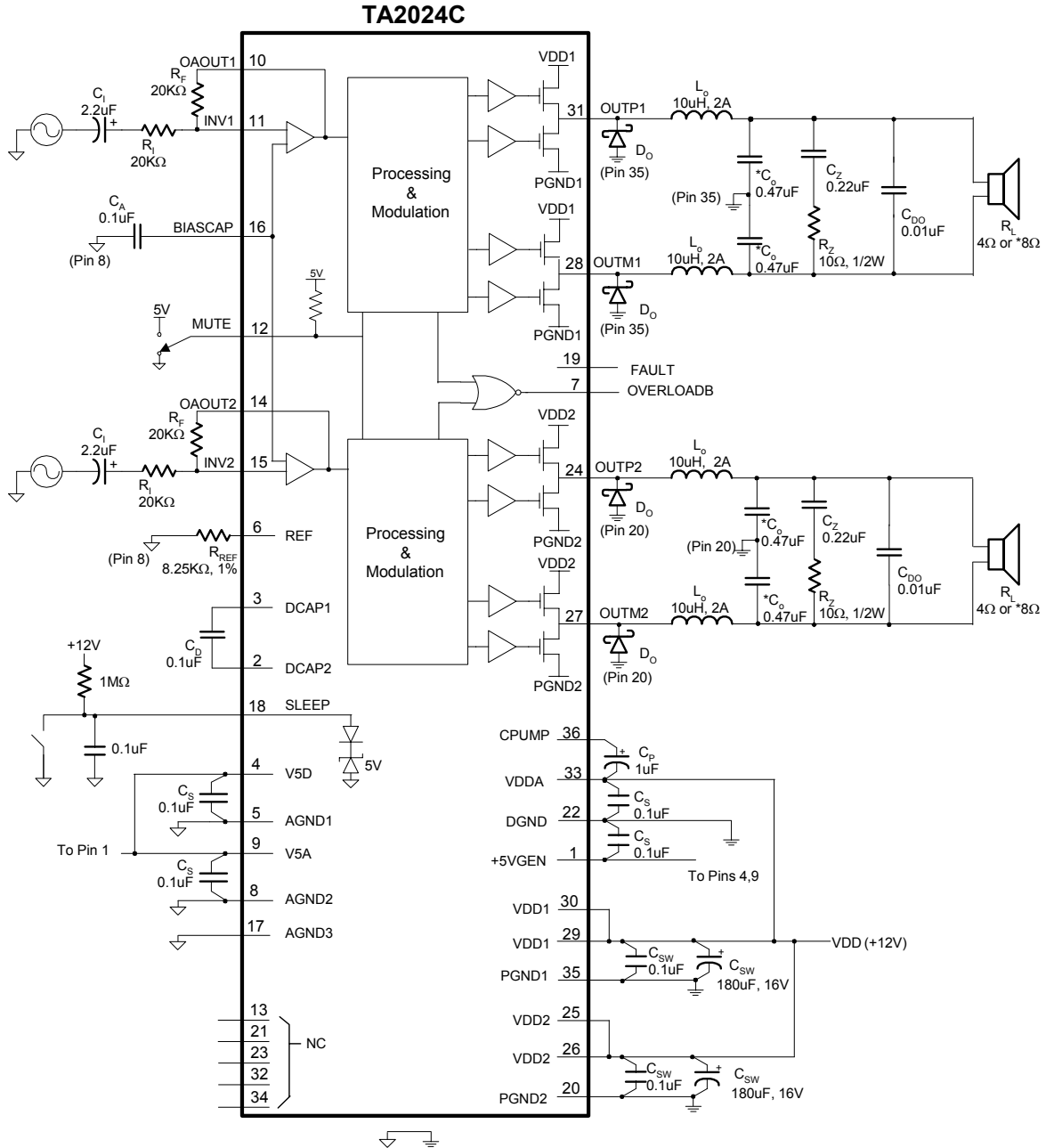
Pin	Function	Description
2, 3	DCAP2, DCAP1	Charge pump switching pins. DCAP1 (pin 3) is a free running 300kHz square wave between VDDA and DGND (12Vpp nominal). DCAP2 (pin 2) is level shifted 10 volts above DCAP1 (pin 3) with the same amplitude (12Vpp nominal), frequency, and phase as DCAP1.
4, 9	V5D, V5A	Digital 5VDC, Analog 5VDC
5, 8, 17	AGND1, AGND2, AGND3	Analog Ground
6	REF	Internal reference voltage; approximately 1.0 VDC.
7	OVERLOADB	A logic low output indicates the input signal has overloaded the amplifier.
10, 14	OAOUT1, OAOUT2	Input stage output pins.
11, 15	INV1, INV2	Single-ended inputs. Inputs are a "virtual" ground of an inverting opamp with approximately 2.4VDC bias.
12	MUTE	When set to logic high, both amplifiers are muted and in idle mode. When low (grounded), both amplifiers are fully operational. If left floating, the device stays in the mute mode. This pin should be tied to GND if not used. Unlike previous Tripath devices, the input bias is still active, even if the MUTE pin is tied to a logic high.
16	BIASCAP	Input stage bias voltage (approximately 2.4VDC).
18	SLEEP	When set to logic high, device goes into low power mode. If not used, this pin should be grounded
19	FAULT	A logic high output indicates thermal overload, or an output is shorted to ground, or another output.
20, 35	PGND2, PGND1	Power Grounds (high current)
22	DGND	Digital Ground. Connect to AGND locally (near the TA2024C).
24, 27; 31, 28	OUTP2 & OUTM2; OUTP1 & OUTM1	Bridged output pairs
25, 26, 29, 30	VDD2, VDD2 VDD1, VDD1	Supply pins for high current H-bridges, nominally 12VDC.
13, 21, 23, 32, 34	NC	Not connected. Not bonded internally.
33	VDDA	Analog 12VDC
36	CPUMP	Charge pump output (nominally 10V above VDDA)
1	5VGEN	Regulated 5VDC source used to supply power to the input section (pins 4 and 9).

TA2024C PINOUT

36-pin Power SOP Package
(Top View)



APPLICATION / TEST CIRCUIT



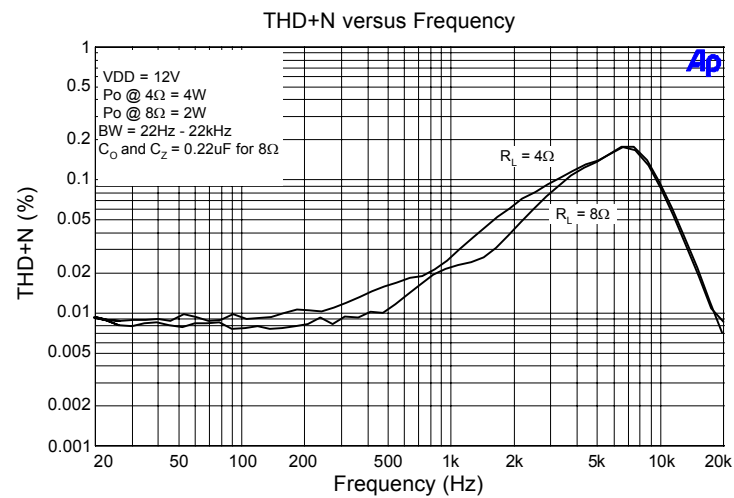
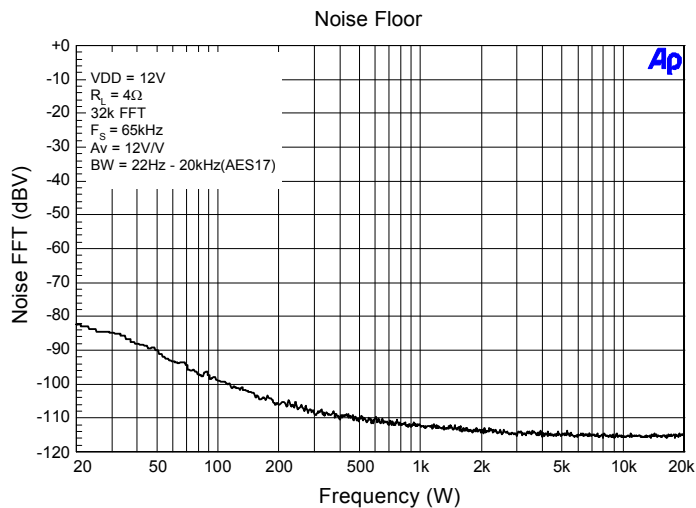
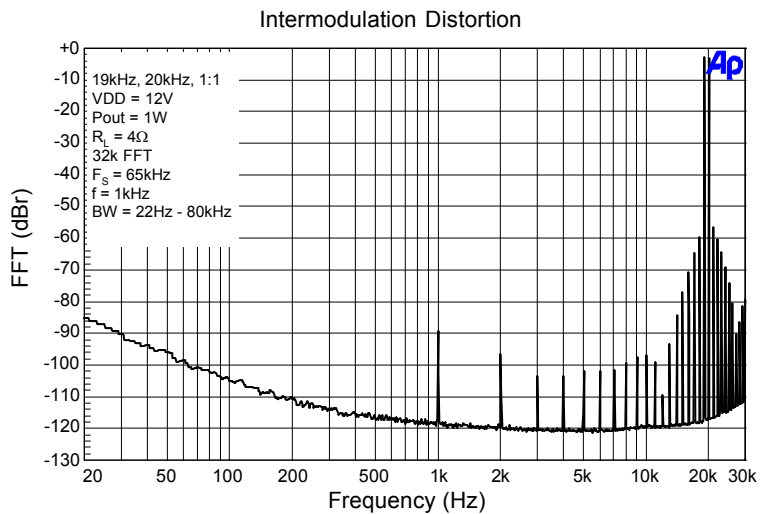
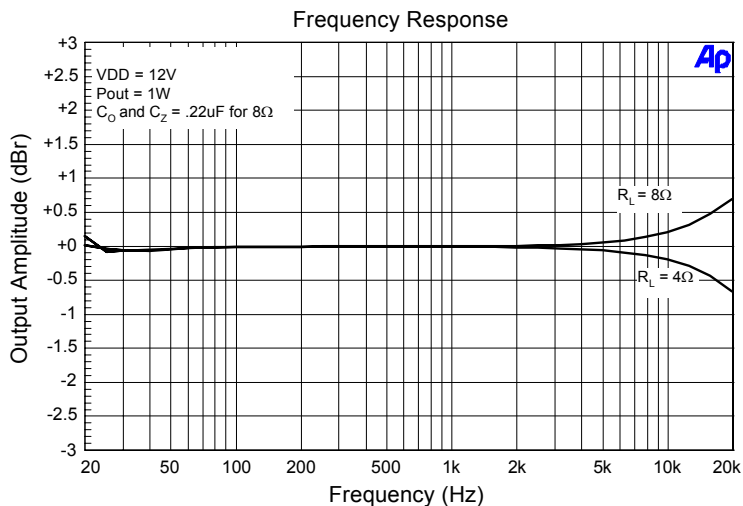
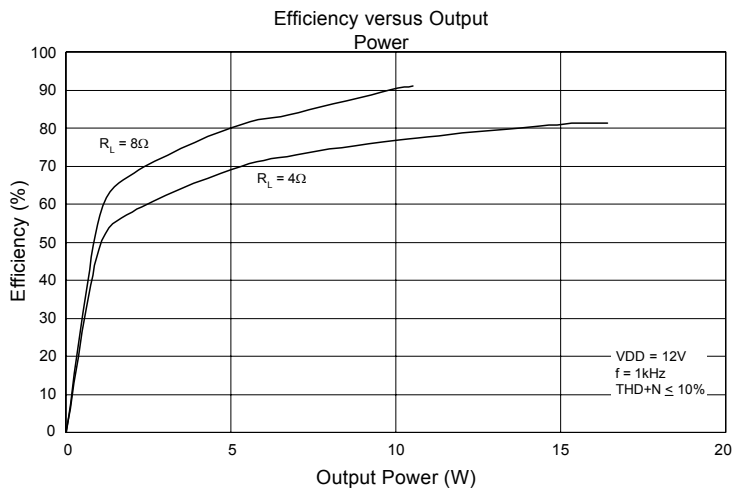
Note: Analog and Digital/Power Grounds must be connected locally at the TA2024B

- ⏏ Analog Ground
- ⏏ Digital/Power Ground
- All Diodes Motorola MBRS130T3
- * Use C_O = 0.22μF for 8 Ohm loads

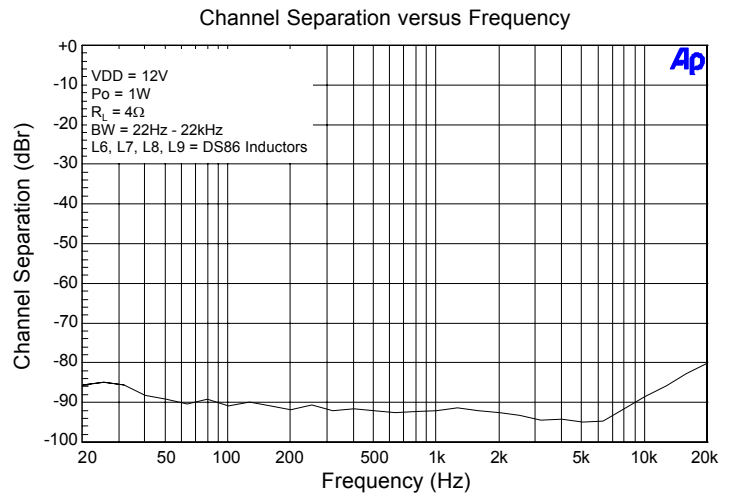
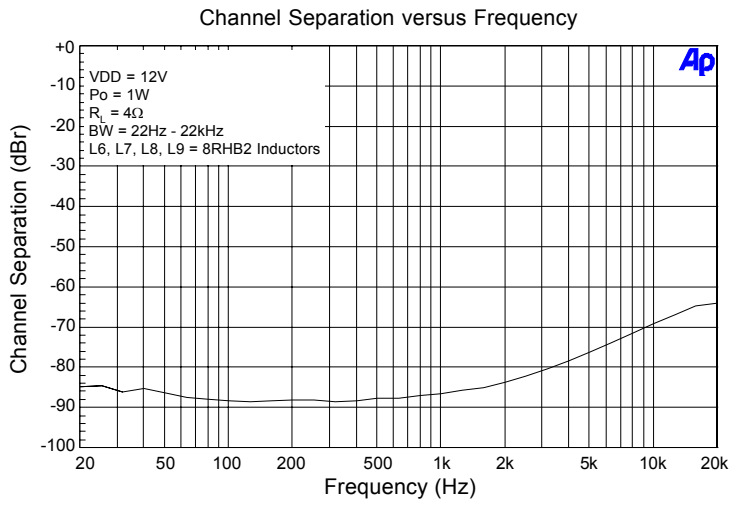
EXTERNAL COMPONENTS DESCRIPTION (Refer to the Application/Test Circuit)

Components	Description
R _I	Inverting Input Resistance to provide AC gain in conjunction with R _F . This input is biased at the BIASCAP voltage (approximately 2.4VDC).
R _F	Feedback resistor to set AC gain in conjunction with R _I ; $A_v = 12(R_F / R_I)$. Please refer to the Amplifier Gain paragraph in the Application Information section.
C _I	AC input coupling capacitor which, in conjunction with R _I , forms a highpass filter at $f_c = 1/(2\pi R_I C_I)$
R _{REF}	Bias resistor. Locate close to pin 6 (REF) and ground at pin 8 (AGND2).
C _A	BIASCAP decoupling capacitor. Should be located close to pin 16.
C _D	Charge pump input capacitor. This capacitor should be connected directly between pins 2 (DCAP2) and 3 (DCAP1) and located physically close to the TA2024C.
C _P	Charge pump output capacitor that enables efficient high side gate drive for the internal H-bridges. To maximize performance, this capacitor should be connected directly between pin 36 (CPUMP) and pin 33 (VDDA). Please observe the polarity shown in the Application/ Test Circuit.
C _S	Supply decoupling for the low current power supply pins. For optimum performance, these components should be located close to the pin and returned to their respective ground as shown in the Application/Test Circuit.
C _{SW}	Supply decoupling for the high current, high frequency H-Bridge supply pins. These components must be located as close to the device as possible to minimize supply overshoot and maximize device reliability. Both the high frequency bypassing (0.1uF) and bulk capacitor (180uF) should have good high frequency performance including low ESR and low ESL. Panasonic HFQ or FC capacitors are ideal for the bulk capacitor.
C _Z	Zobel Capacitor.
R _Z	Zobel resistor, which in conjunction with C _Z , terminates the output filter at high frequencies. The combination of R _Z and C _Z minimizes peaking of the output filter under both no load conditions or with real world loads, including loudspeakers which usually exhibit a rising impedance with frequency.
D _O	Schottky diodes that minimize undershoots of the outputs with respect to power ground during switching transitions. For maximum effectiveness, these diodes must be located close to the output pins and returned to their respective PGND. Please see Application/Test Circuit for ground return pin.
L _O	Output inductor, which in conjunction with C _O and C _{DO} , demodulates (filters) the switching waveform into an audio signal. Forms a second order filter with a cutoff frequency of $f_c = 1/(2\pi \sqrt{L_O C_{TOT}})$ and a quality factor of $Q = R_L C_{TOT} / 2\sqrt{L_O C_{TOT}}$ where $C_{TOT} = C_O 2 * C_{DO}$.
C _O	Output capacitor.
C _{DO}	Differential Output Capacitor. Differential noise decoupling for reduction of conducted emissions. Must be located near chassis exit point for maximum effectiveness.

TYPICAL PERFORMANCE



TYPICAL PERFORMANCE



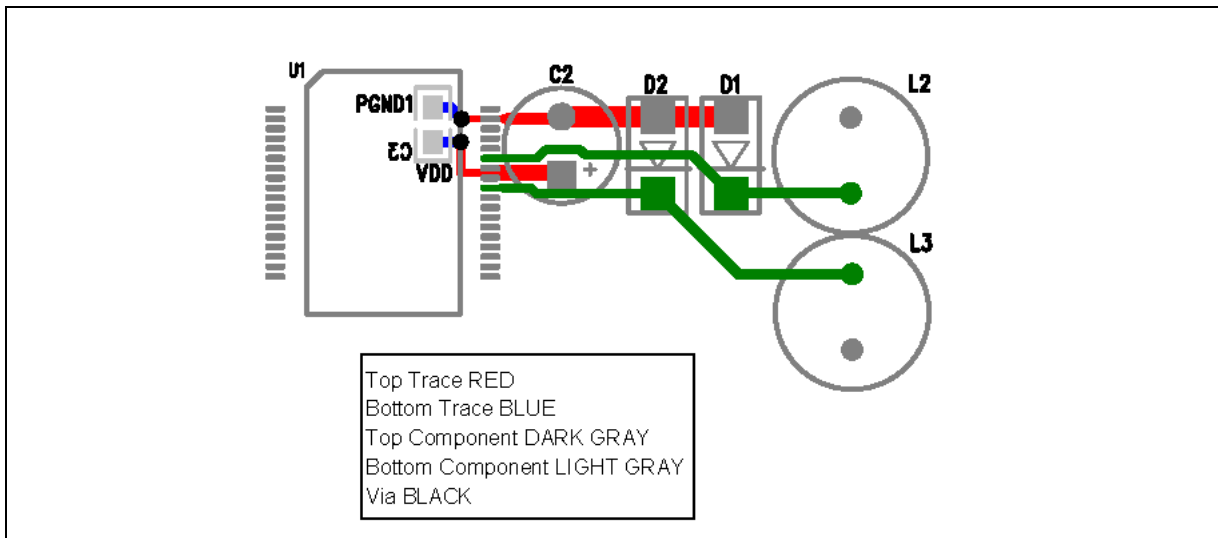
APPLICATION INFORMATION

Layout Recommendations

The TA2024C is a power (high current) amplifier that operates at relatively high switching frequencies. The outputs of the amplifier switch between the supply voltage and ground at high speeds while driving high currents. This high-frequency digital signal is passed through an LC low-pass filter to recover the amplified audio signal. Since the amplifier must drive the inductive LC output filter and speaker loads, the amplifier outputs can be pulled above the supply voltage and below ground by the energy in the output inductance. To avoid subjecting the TA2024C to potentially damaging voltage stress, it is critical to have a good printed circuit board layout. It is recommended that Tripath's layout and application circuit be used for all applications and only be deviated from after careful analysis of the effects of any changes. Please contact Tripath Technology for further information regarding reference design material regarding the TA2024C.

Output Stage layout Considerations and Component Selection Criteria

Proper PCB layout and component selection is a major step in designing a reliable TA2024C power amplifier. The supply pins require proper decoupling with correctly chosen components to achieve optimal reliability. The output pins need proper protection to keep the outputs from going below ground.



The above layout shows ideal component placement and routing for channel 1 (the same design criteria applies to channel 2). This shows that C3, a 0.1uF surface mount 0805 capacitor, should be the first component placed and must decouple VDD1 (pins 29 and 30) directly to PGND1 (pin35). C2, a low ESR, electrolytic capacitor, should also decouple VDD1 directly to PGND1. Both C2 and C3 may decouple VDD1 to a ground plane, but it is critical that the return path to the PGND1 pin of the TA2024C, whether it is a ground plane or a trace, be a short and direct low impedance path. Effectively decoupling VDD will shunt any power supply trace length inductance.

The diodes and inductors shown are for channel 1's outputs. D1 and L2 connect to the OUTP1 pin and D2 and L3 connect to the OUTM1 pin of the TA2024C. Each output must have a Schottky or Ultra Fast Recovery diode placed near the TA2024C, preferably immediately after the decoupling capacitors and use short returns to PGND1. These low side diodes, D1 and D2, will prevent the outputs from going below ground. To be optimally effective they must have a short and direct return path to its proper ground pin (PGND1) of the TA2024C. This can be achieved with a ground plane or a trace.

The output inductors, L2 and L3, should be placed close to the TA2024C without compromising the locations of the closely placed supply decoupling capacitors and output diodes. The purpose of placing the output inductors close to the TA2024C output pins is to reduce the trace length of the switching outputs. This will aid in reducing radiated emissions.

Please see the External Component Description section on page 6 for more details on the above-mentioned components. The Application/ Test Circuit refers to the low side diodes as D_O , and both supply decoupling capacitors as C_{SW} .

TA2024C Amplifier Gain

The ideal gain of the TA2024C is set by the ratio of two external resistors, R_I and R_F , and is given by the following formula:

$$\frac{V_O}{V_I} = -12 \frac{R_F}{R_I}$$

where V_I is the input signal level and V_O is the differential output signal level across the speaker. Please note that V_O is 180° out of phase with V_I .

The ideal gain of the TA2024C is 12V/V, whereas typical values are: $A_V = 11.5V/V$ for 4Ω and 11.7V/V for 8Ω.

Mute Pin

The mute pin must be driven to a logic low or logic high state for proper operation. To enable the amplifier, connect the mute pin to a logic low. To enable the mute function, connect the mute pin to a logic high signal. Please note that the mute pin is a 5V CMOS input pin and the mute signal should be de-bounced to eliminate a possibility of falsely muting.

When in mute, the internal processor bias voltages are still active in the TA2024C. This minimizes any turn on pop caused by charging the input coupling capacitor. It is recommended that the mute is held high during power up or power down to eliminate audible transients.

If turn-on and/or turn-off noise is still present with a TA2024C amplifier, the cause may be other circuitry external to the TA2024C such as an audio processor or preamp. Multiple audio processors used in LCD TV's create audible pops as their power supply collapses. If the TA2024C is still active (mute pin is low), then these audible pops will be amplified and output to the speakers. To eliminate this problem, simply activate the mute before the power supply collapses.

Turn-on and Turn-off Noise

The TA2024C has improved mute-off and mute-on click performance as compared to previous Tripath devices including TA2024 and TA2024B. The main improvement was related to keeping the input stage biased up during mute, but other specific circuit details, beyond the scope of the data sheet, were also improved.

But as with the previous devices, many complaints about turn on and off clicks were not actually caused by the TA2024C. As noted above, a typical cause of turn off pop is related to the audio processor that provides the audio input to the TA2024C amplifier. The audio processor used for most LCD TV's produces a pop when its power supply collapses. Thus, it is recommended that the TA2024C mute pin is pulled high before the power supply is removed.

The time that it takes to activate mute has been reduced in the TA2024C as opposed to TA2024 and TA2024B. This allows for the mute to be activated before the audio processor power supply can collapse. Thus, any possibility of a pop being amplified by the TA2024C can be averted.

The remaining source of click is the residual output offset. This pop would normally be masked if the TA2024C is playing music but in some cases, may be undesirable due to application requirements. The level of the pop is proportional to the offset, which has a specified maximum of 150mV as stated in the Electrical Characteristics Section.

In most cases, the pop caused by the output offset is not objectionable. But in those cases that there is concern about the residual pop, the offset can be nulled. There are several ways to trim the offset. These include using a trim pot, with current limiting resistor, using an active DC servo comprised of op-amps, resistors and switches, and finally, a look-up table of resistor values attached to the input. The last scheme is implemented on the EB-TA2024C. Please refer to the EB-TA2024C document at www.tripath.com for additional information on this circuit.

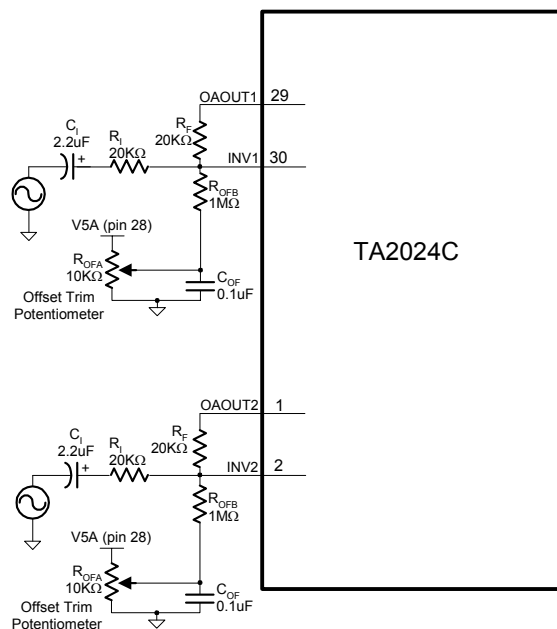
Please note that while a DC servo is automatic, and thus, does not require manual adjustment, it is not the best solution. This is because the DC servo has to be slow enough so as not to react to low frequency audio signals. Thus, it is not possible for such a circuit to eliminate a mute off pop caused by DC offset. The servo is effective for eliminating mute on pops, since the DC offset would be nulled to zero by the time the TA2024C is muted. A DC servo, in conjunction, with a relay is an effective method for completely eliminating mute off and mute on pops, but due to the small residual pop caused by the TA2024C offset, it is unlikely that such a sophisticated scheme would be implemented for high-volume production designs.

Output Voltage Offset

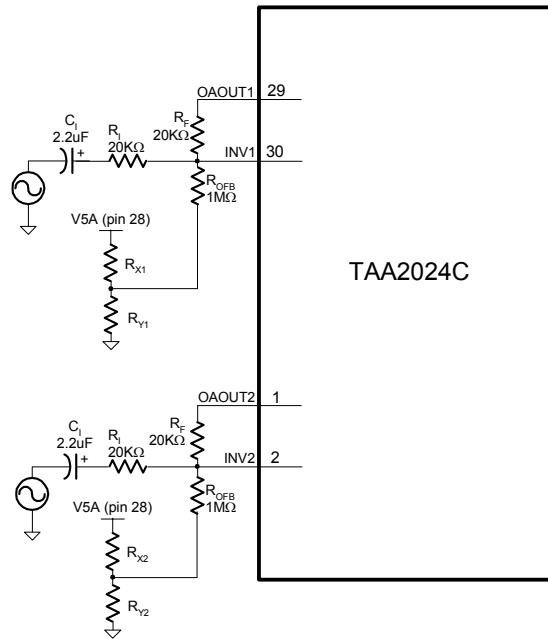
The DC offset voltages that appear at the speaker terminals of a TA2024C amplifier are typically small and for most applications no DC offset correction is necessary. The TA2024C is 100% tested to ensure that the differential output DC offset voltage is less than +/-150mV. However this DC offset can cause a small turn on and turn off pop, depending on the offset value for that specific IC. Every TA2024C IC will have a different offset voltage for each channel.

If the output offset is deemed unacceptable from a turn on/off pop standpoint, there are three recommended methods for correcting it. These methods of trimming the offset voltage are optional and for most cases the additional circuitry is not needed.

- 1) A potentiometer can be used at the input of the TA2024C as shown in the figure below. By changing the input bias voltage the output DC offset voltage can be trimmed. Two separate potentiometers must be used to trim both channels.



- 2) In cases where manually trimming potentiometers is not possible, resistors can be used in place of potentiometers. Since each TA2024C has different offset voltage, the output offset voltage will need to be measured for both channel 1 and channel 2 and then resistors will have to be added on the PC board to trim the offset. Below is a lookup table for resistor values for corresponding offset voltages. Both Rx and Ry values should be 1% tolerance resistors. Please refer to the EB-TA2024C document for more information on this manual trim method using resistors.



OFFSET	Ry	Rx (1%)
150mV	20kΩ	13.3kΩ
140mV	20kΩ	13.7kΩ
130mV	20kΩ	14.3kΩ
120mV	20kΩ	14.7kΩ
110mV	20kΩ	15.4kΩ
100mV	20kΩ	15.8kΩ
90mV	20kΩ	16.2kΩ
80mV	20kΩ	16.9kΩ
70mV	20kΩ	17.4kΩ
60mV	20kΩ	17.8kΩ
50mV	20kΩ	18.7kΩ
40mV	20kΩ	19.1kΩ
30mV	20kΩ	19.6kΩ
20mV	20kΩ	20.5kΩ
10mV	20kΩ	21kΩ
0mV	20kΩ	21.5kΩ
-10mV	20kΩ	22.6kΩ
-20mV	20kΩ	23.2kΩ
-30mV	20kΩ	24.3kΩ
-40mV	20kΩ	24.9kΩ
-50mV	20kΩ	25.5kΩ
-60mV	20kΩ	26.7kΩ
-70mV	20kΩ	27.4kΩ
-80mV	20kΩ	28.0kΩ
-90mV	20kΩ	29.4kΩ
-100mV	20kΩ	30.1kΩ
-110mV	20kΩ	31.6kΩ
-120mV	20kΩ	32.4kΩ
-130mV	20kΩ	33.2kΩ
-140mV	20kΩ	34.8kΩ
-150mV	20kΩ	35.7kΩ

- 3) A DC servo using a dual op amp can also be used to automatically null any offset voltage. This DC servo will only eliminate the turn off pop since the RC time constant of the DC servo is very slow. Please contact Tripath sales for additional information on the DC servo circuit.

Protection Circuits

The TA2024C is guarded against over-temperature and over-current conditions. When the device goes into an over-temperature or over-current state, the FAULT pin goes to a logic HIGH state indicating a fault condition. When this occurs, the amplifier is muted, all outputs are TRI-STATED, and will float to 1/2 of V_{DD} .

Over-temperature Protection

An over-temperature fault occurs if the junction temperature of the part exceeds approximately 155°C. The thermal hysteresis of the part is approximately 45°C, therefore the fault will automatically clear when the junction temperature drops below 110°C.

Over-current Protection

An over-current fault occurs if more than approximately 7 amps of current flows from any of the amplifier output pins. This can occur if the speaker wires are shorted together or if one side of the speaker is shorted to ground. An over-current fault sets an internal latch that can only be cleared if the MUTE pin is toggled or if the part is powered down. Alternately, if the MUTE pin is connected to the FAULT pin, the HIGH output of the FAULT pin will toggle the MUTE pin and automatically reset the fault condition.

Overload

The OVERLOADB pin is a 5V logic output. When low, it indicates that the level of the input signal has overloaded the amplifier resulting in increased distortion at the output. The OVERLOADB signal can be used to control a distortion indicator light or LED through a simple buffer circuit, as the OVERLOADB cannot drive an LED directly.

Sleep Pin

The SLEEP pin is a 5V logic input that when pulled high (>3.5V) puts the part into a low quiescent current mode. This pin is internally clamped by a zener diode to approximately 6V thus allowing the pin to be pulled up through a large valued resistor (1megΩ recommended) to V_{DD}. To disable SLEEP mode, the sleep pin should be grounded.

Fault Pin

The FAULT pin is a 5V logic output that indicates various fault conditions within the device. These conditions include: low supply voltage, low charge pump voltage, low 5V regulator voltage, over current at any output, and junction temperature greater than approximately 155°C. All faults except overcurrent all reset upon removal of the condition. The FAULT output is capable of directly driving an LED through a series 2kΩ resistor. If the FAULT pin is connected directly to the MUTE input an automatic reset will occur in the event of an over-current condition.

Power Dissipation Derating

For operating at ambient temperatures above 25°C the device must be derated based on a 150°C maximum junction temperature, T_{JMAX} as given by the following equation:

$$P_{DISS} = \frac{(T_{JMAX} - T_A)}{\theta_{JA}}$$

where...

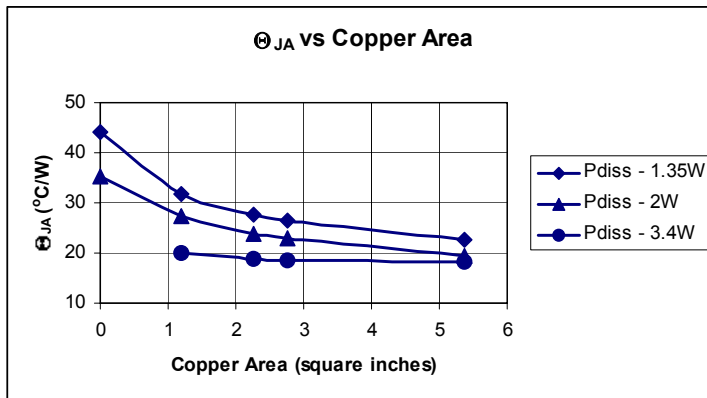
P_{DISS} = maximum power dissipation

T_{JMAX} = maximum junction temperature of TA2024C

T_A = operating ambient temperature

θ_{JA} = junction-to-ambient thermal resistance

Where θ_{JA} of the package is determined from the following graph:



In the above graph, Copper Area is the size of the copper pad on the PC board to which the heat slug of the TA2024C is soldered. **The heat slug must be soldered to the PC Board** to increase the maximum power dissipation capability of the TA2024C package. Soldering will minimize the likelihood of an over-temperature fault occurring during continuous heavy load conditions. The vias used for connecting the heatslug to the copper area on the PCB should be 0.013" diameter.

Performance Measurements of the TA2024C

The TA2024C operates by generating a high frequency switching signal based on the audio input. This signal is sent through a low-pass filter (external to the Tripath amplifier) that recovers an amplified version of the audio input. The frequency of the switching pattern is spread spectrum and typically varies between 100kHz and 1.0MHz, which is well above the 20Hz – 20kHz audio band. The pattern itself does not alter or distort the audio input signal but it does introduce some inaudible components.

The measurements of certain performance parameters, particularly noise related specifications such as THD+N, are significantly affected by the design of the low-pass filter used on the output as well as the bandwidth setting of the measurement instrument used. Unless the filter has a very sharp roll-off just beyond the audio band or the bandwidth of the measurement instrument is limited, some of the inaudible noise components introduced by the Tripath amplifiers switching pattern will degrade the measurement.

One feature of the TA2024C is that it does not require large multi-pole filters to achieve excellent performance in listening tests, usually a more critical factor than performance measurements. Though using a multi-pole filter may remove high-frequency noise and improve THD+N type measurements (when they are made with wide-bandwidth measuring equipment), these same filters degrade frequency response. The TA2024C Evaluation Board uses the Test/Application Circuit in this data sheet, which has a simple two-pole output filter and excellent performance in listening tests. Measurements in this data sheet were taken using this same circuit with a limited bandwidth setting in the measurement instrument.

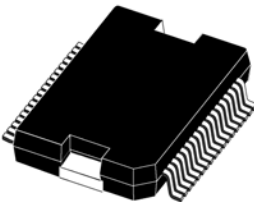
PACKAGE INFORMATION

The package for the TA2024C is a 36-Lead Power Small Outline Package (PSOP), similar to JEDEC outline MO-166, variation AE. Tripath currently has two suppliers for this package. We recommend that the exposed copper heatslug width for the PCB design be at least 7.3mm wide to accommodate the heatslug width variation for each package. Package dimensions are based on millimeters. Measurements in inches are provided as reference only.

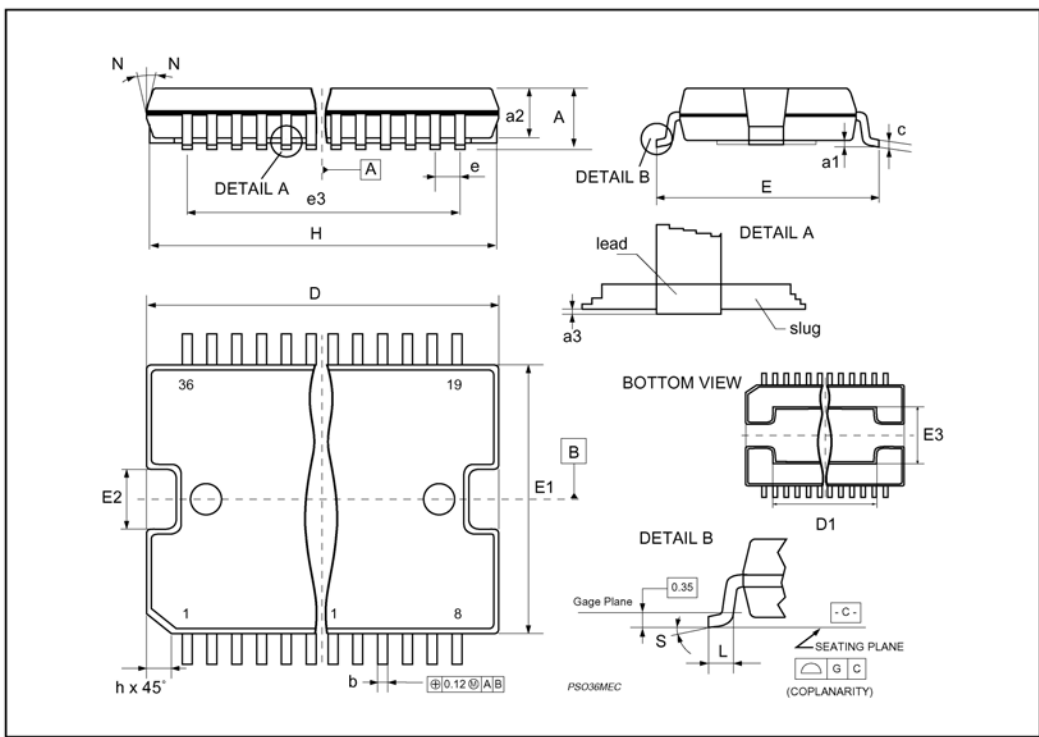
DIM.	mm			inch		
	MIN.	TYP.	MAX.	MIN.	TYP.	MAX.
A			3.60			0.141
a1	0.10		0.30	0.004		0.012
a2			3.30			0.130
a3	0		0.10	0		0.004
b	0.22		0.38	0.008		0.015
c	0.23		0.32	0.009		0.012
D (1)	15.80		16.00	0.622		0.630
D1	9.40		9.80	0.370		0.385
E	13.90		14.50	0.547		0.570
e		0.65			0.0256	
e3		11.05			0.435	
E1 (1)	10.90		11.10	0.429		0.437
E2			2.90			0.114
E3	5.80		6.20	0.228		0.244
E4	2.90		3.20	0.114		0.126
G	0		0.10	0		0.004
H	15.50		15.90	0.610		0.626
h			1.10			0.043
L	0.80		1.10	0.031		0.043
N	10°(max.)					
S	8°(max.)					

(1): "D" and "E1" do not include mold flash or protrusions
 - Mold flash or protrusions shall not exceed 0.15mm (0.006 inch)
 - Critical dimensions are "a3", "E" and "G".

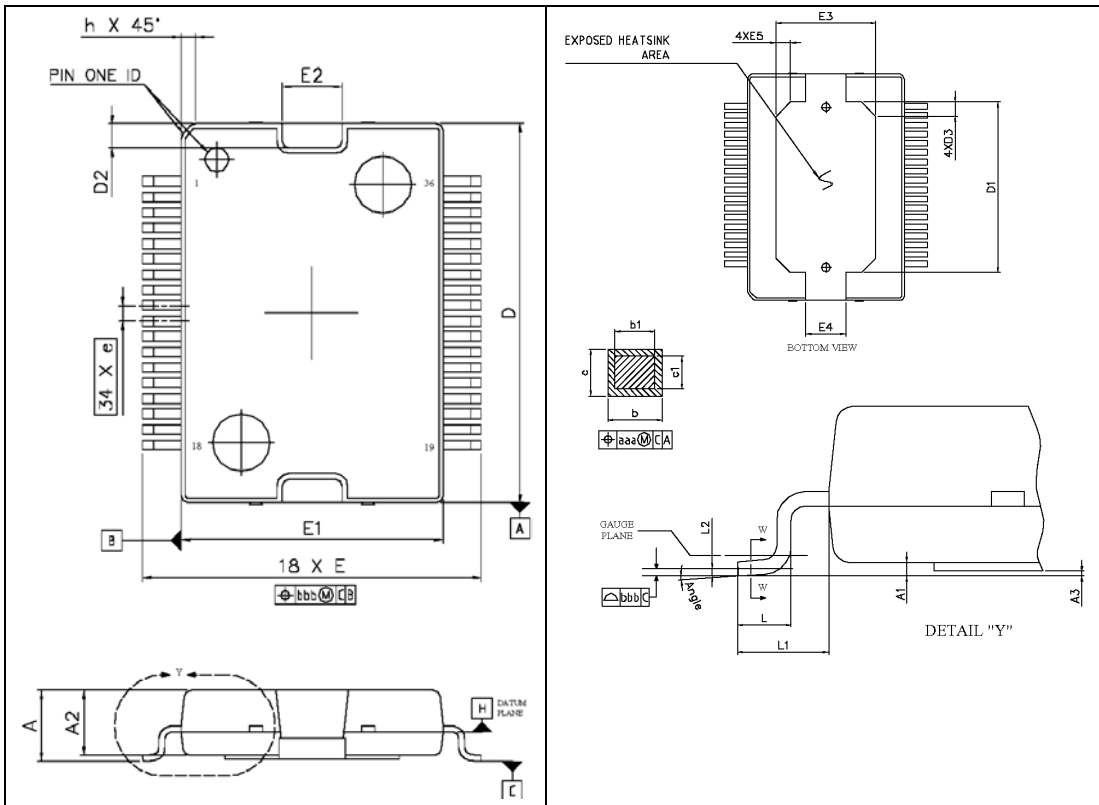
OUTLINE AND MECHANICAL DATA



PowerSO36



Outline and mechanical data for PSOP36



DIM	MIN	MAX	DIM	MIN	MAX
A	-	3.600	E1	11.00 BSC	
A1	0.100	-	E2	-	2.900
A2	3.000	3.300	E3	6.300	7.300
A3	0.025	0.152	E4	2.700	2.900
D	15.90 BSC		E5	-	1.000
D1	9.000	13.000	L	0.800	1.100
D2	-	1.100	L1	1.60 REF	
D3	-	1.000	L2	0.350 BSC	
E	14.200 BSC		All DIM measured in mm		

PRELIMINARY INFORMATION – The above specification is for a device that is currently in development. All specifications and device descriptions are subject to change based on product analysis and characterization. Please contact Tripath Technology for additional information not included or covered in this preliminary document.

Tripath Technology Inc. reserves the right to make changes without further notice to any products herein to improve reliability, function or design. Tripath does not assume any liability arising out of the application or use of any product or circuit described herein; neither does it convey any license under its patent rights, nor the rights of others.

Tripath and Digital Power Processing are trademarks of Tripath Technology Inc. Other trademarks referenced in this document are owned by their respective companies.

TRIPATH'S PRODUCTS ARE NOT AUTHORIZED FOR USE AS CRITICAL COMPONENTS IN LIFE SUPPORT DEVICES OR SYSTEMS WITHOUT THE EXPRESS WRITTEN CONSENT OF THE PRESIDENT OF TRIPATH TECHNOLOGY INC.

As used herein:

1. Life support devices or systems are devices or systems which, (a) are intended for surgical implant into the body, or (b) support or sustain life, and whose failure to perform, when properly used in accordance with instructions for use provided in this labeling, can be reasonably expected to result in significant injury to the user.
2. A critical component is any component of a life support device or system whose failure to perform can be reasonably expected to cause the failure of the life support device or system, or to affect its safety or effectiveness.

Contact Information

TRIPATH TECHNOLOGY, INC

2560 Orchard Parkway, San Jose, CA 95131
408.750.3000 - P
408.750.3001 - F

For more Sales Information, please visit us @ www.tripath.com/contact.htm

For more Technical Information, please visit us @ www.tripath.com/data.htm